



G20i Case Coder

Thermal Inkjet printer providing an easy to use single sided case coding solution

The Domino G20i is a compact, all in one, easy to set up and use, single sided Case Coder ideally suited to data and text coding on outer case secondary packaging. It is designed for straightforward self installation, set up and use without technical knowledge. The Thermal Inkjet print head provides sharp, high resolution codes on a variety of substrates without ongoing maintenance or support requirements.



High quality print

The G20i delivers optimal print images in high resolution. We develop inks specifically for Outer Case Coding applications. With true black colour, great first prints even after long line stoppages and automatic setting of print parameters, coding with the G20i is simple and error free.

Robust and reliable

High uptime and reliable code quality are achieved by a dynamic mounting bracket and print head guide plate that protect the printer and print head from physical damage; all wear parts of the printer are contained within the consumable ink cartridge.

Simple to use

Line side control of the G20i is simple: you can connect either on a mobile device via an Android App, use the familiar wireless qwerty keyboard or link to a PC to operate the printer. **i-Tech** features such as automatic cartridge detection, print parameter setting and ink level recording ensure simple, error free operation.

Low cost of ownership

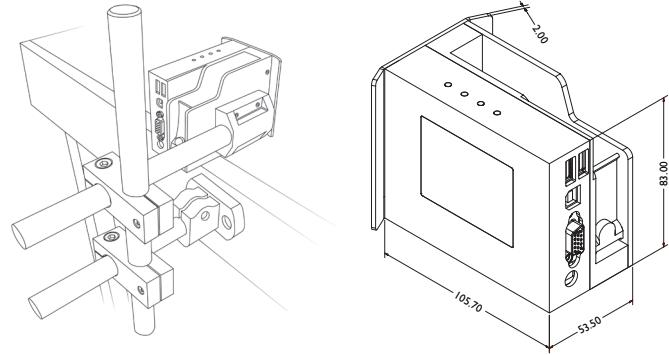
Simple self install does not require specialist installation engineers. The all in one package provides everything to get lines up and running. The maintenance free configuration has no need for service contracts. Cartridge change is a simple, less than 20 second operation without any technical skills or tools.

Domino. Do more.

Simple to Install.
Simple to Configure.
Simple to Code.

The G20i comes complete with everything you need to mount and configure the printer on your production line. The package includes brackets, screws, keyboard, printer, Wi-Fi dongle and a starter guide. All you need to add is ink, available from your local Domino supplier.

Detailed manuals, PC software, the Android App and easy to follow installation videos can all be downloaded from our dedicated case coding website www.DominoCaseCoding.com



Technical Specification: G20i

Coding options	Graphics, alphanumeric texts; ID barcodes (grade B) - Code 39, Code 2/5, Code 128, UPC-A Code 93, EAN 8, Codabar; Code 11
Font sizes	Font heights - 1 line = 12.7mm, 2 line = 5.92mm, 3 line = 3.83 mm, 4 line = 2.54mm, 6 line = 1.69mm
Print head	1 embedded print head
Print height	12.7 mm / 0.5"
Print speed	Constant print speed from 180m/min (590 ft/min) at 100 dpi to 30m/min (98 ft/min) at 600 dpi (horizontal resolution)
Photocell	Embedded photocell
Digital outputs	3 status outputs (24V)
User interfaces	71.12mm, 256K colour WYSIWYG entry or Android based application Android App languages: English (default), Simplified Chinese, French, German, Spanish, Russian, Portuguese, Korean, Polish, Vietnamese, Thai, Indonesian (Bahasa), Japanese
External memory	USB 2.0
On board controller languages	English (default), Simplified Chinese, French, German, Spanish, Russian, Portuguese, Korean, Polish and Vietnamese

Controller dimensions	Width: 74.5mm / Depth: 83mm / Length: 107.5mm / Weight: 450g
Range Specifications	Construction: Powder coated steel Operating voltage: 100 - 240VAC Amperage: 1.4A Frequency: 50 - 60Hz Operating temperature: +5°C to 50°C (dependant on ink properties) Operating relative humidity: 10% to 90% non condensing
Inks	Fast drying water based ink BK640 for porous and semi-porous substrates
G-Series i-Tech features	Automatic ink cartridge detection, automatic ink parameter setting, automatic ink level recording



www.DominoCaseCoding.com



G20i/0616 We reserve the right to change the design or specification of our products without notice. Some of the information contained in this brochure is general in nature and customers should check that it is applicable to their individual circumstances.